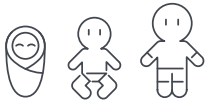


one2^{v2} second seat

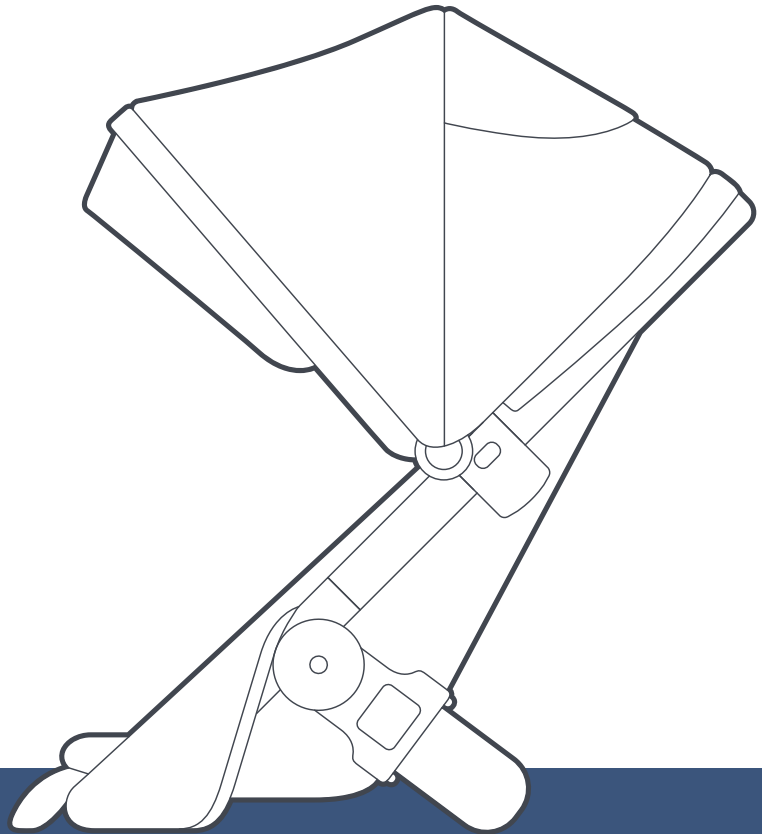
Suitable for use with the **One 2^{v2}** stroller.
(sold separately)



0 - 15kg
(newborn - 3 years approx.)

IMPORTANT KEEP THIS BOOKLET IN A SAFE
PLACE FOR FUTURE REFERENCE

SERIES RM-S287T2 | britax.com.au
britax.co.nz



 **Steelcraft**

Contents

Warnings & Important Notes	03
Lift & Carry Correctly	04
What's in the Box	05
Second Seat Features	06
Second Seat Assembly	
Attaching the Canopy	07
Attaching the Shoulder Harness Pads	07
Attaching the Second Seat to the Frame	08
Attaching the Wheel Guards	08
Attaching the Second Seat to the Frame	09
Second Seat Operation	
Adjusting the Backrest	10
Securing Your Child Harness	11
Adjusting the Harness	12
Opening the Harness	12
Adjusting the Shoulder Harness Height	13

Installing and Removing the Second Seat Extension Adaptors	14
Attaching the Second Seat to the Stroller Frame Using the Extension Adaptors	15
Care & Maintenance	16
Warranty	19
Notes	22

Warnings & Important Notes

WARNINGS

- **SECURE THE CHILD IN THE HARNESS AT ALL TIMES.**
- **DO NOT USE ANY ACCESSORIES OTHER THAN THOSE APPROVED FOR USE WITH THIS STROLLER BY BRITAX.**
- **IT IS UNSAFE TO USE ACCESSORIES NOT APPROVED FOR USE WITH THIS STROLLER.**
- **THE MAXIMUM WEIGHT OF THE CHILD USING THIS SECOND SEAT IS NOT TO EXCEED 15KG.**

FOR IMPORTANT NOTES AND WARNINGS ON ACCESSORIES - REFER TO THEIR INDIVIDUAL SECTIONS IN THIS BOOK OR THE INSTRUCTION MANUAL INCLUDED WITH THE INDIVIDUAL PRODUCTS. THE MAXIMUM WEIGHT VARIES FOR EACH ACCESSORY.

IMPORTANT NOTES:

- **Do not use this second seat with any other models of stroller.**
- **The second seat must be correctly fitted and locked onto the stroller frame.**
- **The second seat can only be used in the forward facing position, connected to the rear of the stroller.**
- **Do not overload the stroller. Overloading will cause stroller to tip backwards.**
- **The One 2^{v2} second seat is designed to fit One 2 strollers only.**



This **CAUTION** symbol is shown at certain steps in this instruction manual to highlight the danger of being injured by moving parts.

Lift & Carry Correctly

The SMART lifting technique: This technique can be used to pick up small light loads from low levels.

Size up the load

- Assess the load (size, shape, and weight).
- Assess whether the load needs to be moved;
- Where is it going to be placed? Check that there are no obstructions;
- Assess whether mechanical or human assistance is required.

Move the load as close to the body as possible

- A load is heavier to lift or carry if it is not close to the body.
- The whole hand should be used to ensure a firm grip.

Always bend your knees

- Maintain balance.
- Keep feet apart and in a comfortable position.
- Minimise lower back bending.
- Bend knees preferable at as large an angle as possible but not at a right angle - use a semi-squat in preference to a full squat.

Raise the load with your legs

- Achieve the lift smoothly and without jerkiness.
- Maintain the normal curvature of the spine to allow the force of the load to be distributed evenly from the spine to the pelvis.

Turn your feet in the direction that you want to move the load.

- Avoid unnecessary bending, twisting, and reaching.
- Change direction by turning your feet and not your back.
- To set the load down, squat down, keep your head up and let your legs do the work.

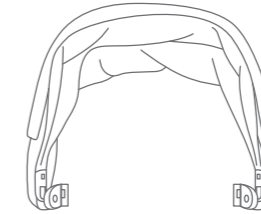
Remember to **THINK TALL** - chest lifted, shoulders relaxed, chin tucked in, and head level.

What's in the Box

1 x Second Seat



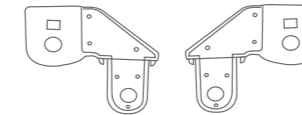
1 x Canopy



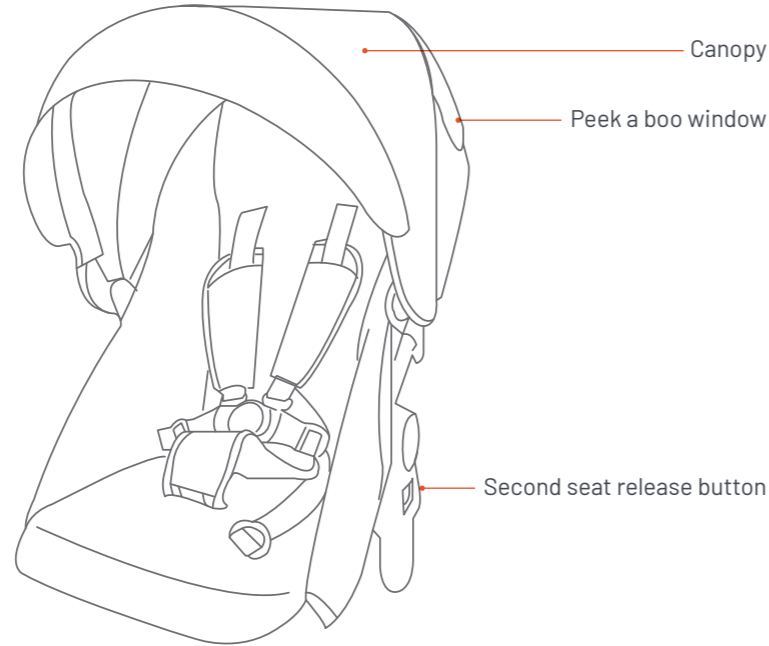
2 x Wheel Guards



1 x Set of Extension Adaptors



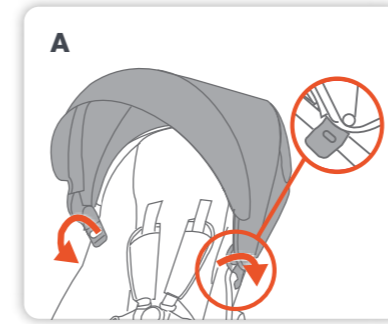
Second Seat Features



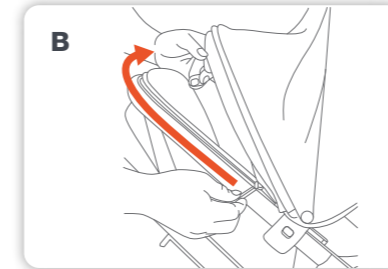
Second Seat Assembly

Attaching the Canopy

IMPORTANT NOTE: The sun is very strong. **DO NOT LEAVE YOUR CHILD EXPOSED TO THE SUN.** The canopy or hood on this product will not give your child total protection from the harmful rays of the sun.



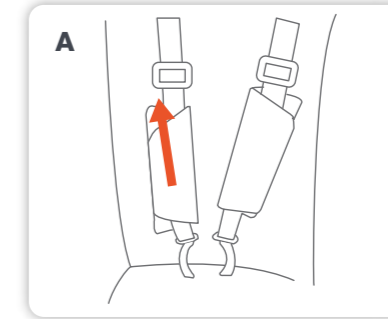
A Place the canopy on the second seat and push the clips on the sides of the canopy onto the second seat frame until they snap into place.



B Attach the canopy to the seat unit with the zipper. There is peek a boo window with magnetic closer for better ventilation.

Attaching the Shoulder Harness pads

IMPORTANT NOTE: Ensure that the shoulder straps are fitted through the appropriate harness slots to suit your child's seated shoulder height.



A Slide the shoulder pads through the shoulder harness straps and adjust to the position which fits comfortably on the child.

Second Seat Assembly

Attaching the Second Seat to the Frame

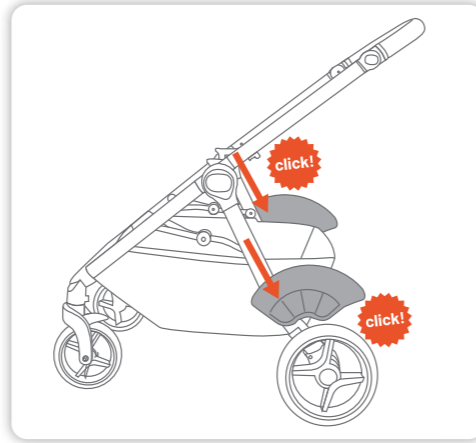
IMPORTANT NOTE:

PLEASE REFER TO PAGE 4 FOR SMART LIFTING TECHNIQUES.

- When fitting, opening, or folding the second seat, be aware of the danger of being injured by moving parts and locking devices during the process. Keep all hands and limbs clear of these parts.
- There is potential for fingers or parts of the body to be injured when the stroller is being folded or unfolded, due care should be exercised.
- Keep children clear of the stroller during folding of the stroller.

✔ **TIP:** Extension adaptors can be used to create more space between the top seat and second seat. (refer to page 14)

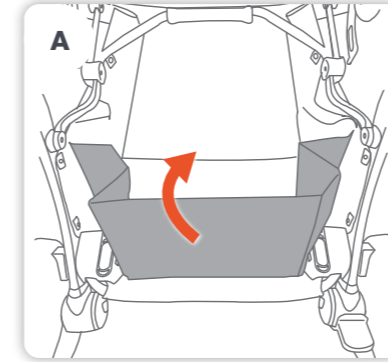
SAFETY WARNING: Before using the second seat, the wheel guards must be installed:



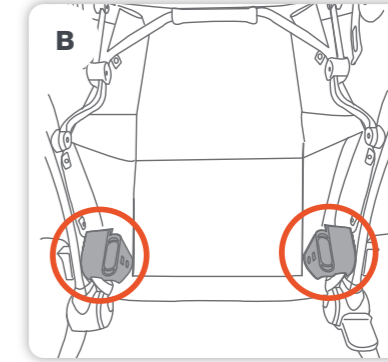
- 01** Engage the stroller brake.
- 02** Rotate the pivotal handle to the highest position.
- 03** Raise the stroller seat backrest to the fully upright position.
- 04** Slide each guard onto the mounting bracket above each rear wheel housing and push down until it locks into place. There is left and right wheel guard. Please ensure it is locked.

Second Seat Assembly

Attaching the Second Seat to the Frame



A Before attaching the Second Seat to the stroller frame push down the back of the basket to the base of the basket.



B Line up the Second Seat connectors to the second seat frame socket inside of the stroller frame (located on inside of the rear wheel housing).




C Push down the Second seat until it locks. Pull up on both sides of the seat to ensure the seat is locked.

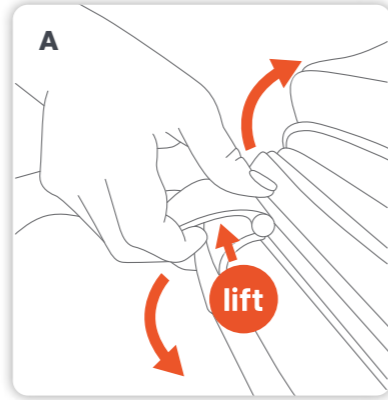
Second Seat Operation

Adjusting the Backrest

WARNINGS

- THE UPRIGHT POSITIONS ARE NOT SUITABLE FOR USE WITH CHILDREN LESS THAN 6 MONTHS OLD.
- THE LOWEST RECLINE POSITION SHOULD BE USED TO TRANSPORT BABIES. THE BACKREST CAN BE ADJUSTED TO A MORE UPRIGHT POSITION AS THE CHILD GROWS OLDER AND IS ABLE TO SUPPORT ITS HEAD WITHOUT ASSISTANCE.

 **TIP:** If the child is sitting in the seat, support the backrest as it reclines. If you have difficulty adjusting the backrest you may need to remove the child from the seat to allow you to raise or lower the backrest with ease.



A Lift the recline lever on the back of the seat and hold while raising or lowering the backrest to the desired position.

PLEASE NOTE:
There are three backrest positions.

Second Seat Operation

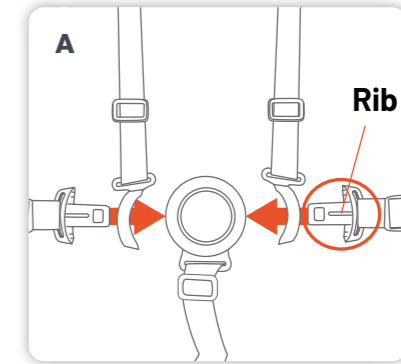
Securing Your Child's Harness

WARNINGS

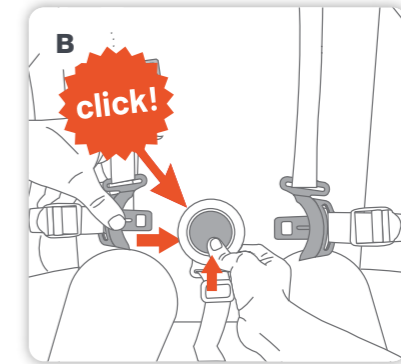
- USE THE HARNESS AT ALL TIMES.
- ENSURE YOUR CHILD IS SECURED WITH A CORRECTLY ADJUSTED HARNESS.
- THE ADJUSTED HARNESS SHOULD CLOSELY FIT THE CHILD.
- NEVER LEAVE THE HARNESS BUCKLED WHEN NOT FITTED TO A CHILD IN THE STROLLER, BECAUSE THE HARNESS CAN FORM LOOPS WHICH MAY POSE A STRANGULATION HAZARD.
- WHEN HARNESS IS NOT IN USE, DISCONNECT SHOULDER STRAPS FROM THE WAIST STRAPS AND BUCKLE TO PREVENT STRANGULATION.

A five point harness is provided to restrain your child. Buckle tongues separate for added safety. To reconnect buckle tongues and to secure the child in the harness please follow the steps below carefully.

PLEASE NOTE: Each waist buckle tongue has a raised rib on one side and can only be locked into the buckle assembly with the raised rib facing up. Ensure the harness straps are not twisted as they may become uncomfortable for the child.



A Always apply the brakes before placing child in stroller seat. Position the shoulder strap near the child's shoulder and position crotch strap between legs. Thread the waist strap buckle tongues through the shoulder strap tongue guides.

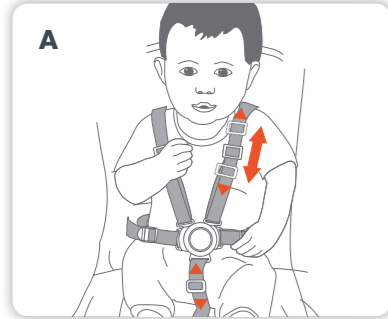


B Hold the centre button in on the crotch buckle and insert the waist buckle tongues into the crotch strap buckle until you hear a 'click'. Repeat the procedure on the other side. Please ensure it's locked.

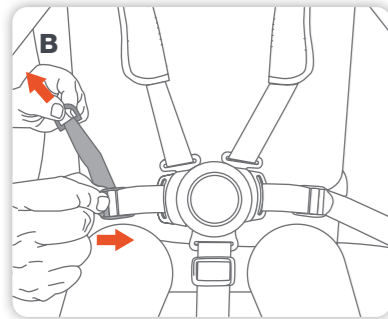
Second Seat Operation

Adjusting the Harness

CAUTION: Do not slide 3 bar slider over the sewn tab on shoulder harness.

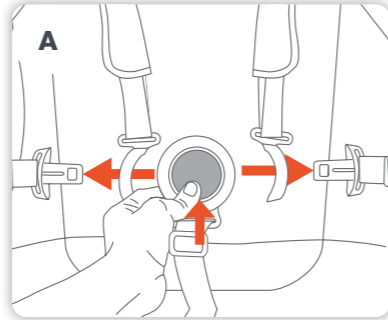


A Tighten or loosen the shoulder straps and crotch strap by sliding the harness adjuster up or down. The crotch strap should be adjusted to a snug fit.



B Tighten or loosen the waist straps, hold and lift the harness adjuster and pull the harness strap to adjust to the desired fit. The waist strap needs to fit firmly around the child.

Opening the Harness

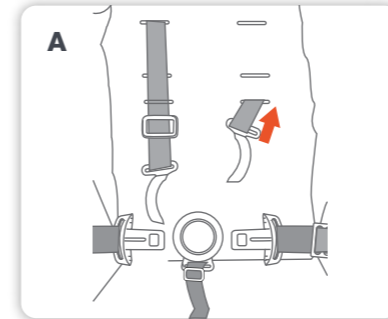


A To release the harness, press in the centre of the buckle to release all straps at once.

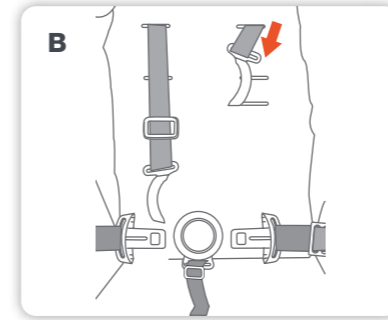
Second Seat Operation

Adjusting the Shoulder Harness Height

IMPORTANT NOTE: The harness can be adjusted to three different heights to accommodate the child. The shoulder straps must be positioned near the child's shoulders.



A To change the shoulder harness height, push the shoulder harness tongue out of the current harness slot and through the back of the seat.



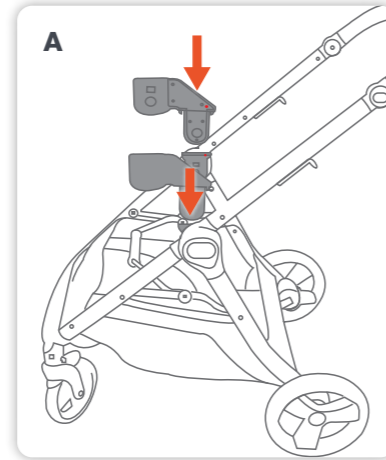
B Select the appropriate shoulder harness height and pull each shoulder harness tongue through the harness slot.

Second Seat Operation

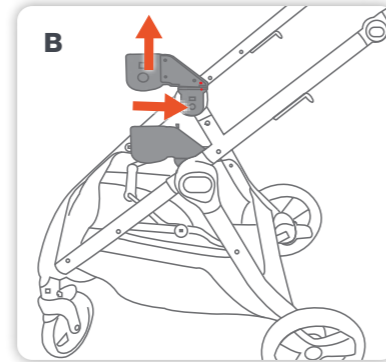
Installing and Removing the Seat Extension Adaptors

IMPORTANT NOTE:

- Receivers are supplied to create more space between the top seat if required, when using the second seat.
- Please adjust seat positions and do not use the positions if there isn't enough space for lower occupant.



A Select the extension adaptor that has a coloured dot and align with the coloured dot on the frame socket. Note: Coloured dots are only on one side of the frame socket. Firmly press down on the Extension adaptor until you hear a 'click' and a green indicator can be seen through a window in the frame socket. Repeat on the other side with the receiver with no coloured dot. To ensure the receiver is engaged pull upwards.

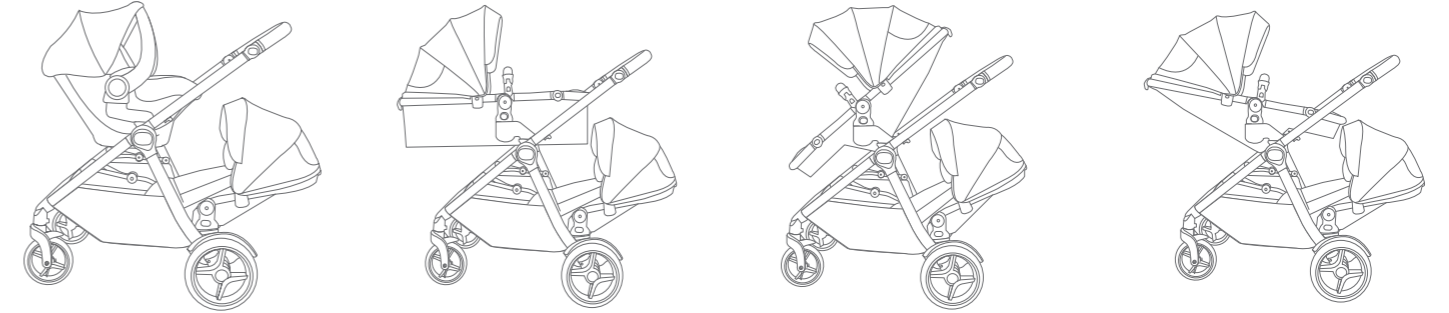


B To remove the extension adaptors, press in and hold the button on the inside of the receiver and pull up the extension adaptors out of the frame sockets.

Second Seat Operation

Attaching The Stroller Seat To The Stroller Frame Using The Second Seat Extension Receivers

IMPORTANT NOTE: Stroller seat or baby capsule must be correctly attached.



Care & Maintenance

General Maintenance & Repair

- Ensure all safety devices, locks, harness, and brakes are in working order.
- Ensure all joints and folding areas move freely as intended.
- Should any moving or locking parts become stiff or hard to operate, ensure these are free from tension, or dirt by wiping clean with a damp cloth to remove any dirt, sand, or debris. Allow to dry and lightly spray with a dry silicon lubricant. Please carefully read the lubricant instructions prior to use.
- Ensure wheels are regularly cleaned with a damp cloth by removing dirt, sand, or debris. Allow to dry and lightly spray the wheel pivot pin with a dry silicon lubricant to keep the wheels moving smoothly. Please carefully read the lubricant instructions prior to use.
- Regularly spray all moving parts with a dry silicon lubricant. Please carefully read the lubricant instructions prior to use.
- Ensure all connecting rivets and screws are secure. Tighten if required.
- If there are compression marks on the tyres, use a domestic hair dryer to gently warm (DO NOT OVERHEAT) the tyre and the compression marks should slowly disappear.
- To maintain the safety and longevity of the stroller, seek prompt repairs or replacement for bent, torn, worn, or broken parts. Do not continue to use the stroller if unsafe.

- All repairs should only be carried out by an authorised Britax/Steelcraft repairer. Only Britax/Steelcraft replacement parts should be used with the stroller. It may be unsafe to use parts supplied from another manufacturer.

General Tips

Do not store the stroller in your car for prolonged periods of time during summer as it may lead to damage to some of the plastics components.

Do not leave the stroller in direct sunlight for extended periods of time, as colours of some fabrics may fade, and tyres may deteriorate.

Do not fold or store the stroller if damp or wet, as fabric may develop mould or mildew. Always store the stroller inside in a dry, well-ventilated area.

Do not place heavy objects on top of the stroller as it may alter the shape.

Should you have any further questions on care & maintenance of the stroller, please contact our Consumer Service Team at: ganz-support@britax.com

Care & Maintenance

Cleaning

Fabrics

- Removable fabrics may be cleaned using lukewarm water and soap or mild detergent. Rinse thoroughly and allow to dry away from direct sunlight.
- Non-removable fabrics can be spot cleaned using a damp sponge and soap or mild detergent. Allow to dry completely before re-use or storage.
- Never use bleach, or abrasive cleaning products.
- **DO NOT** iron or dry clean.

NOTE: DO NOT place any of the stroller fabrics in the dryer. Allow to dry naturally, away from direct sunlight.

Frame

- Remove dirt and dust away from any moving mechanism.
- Clean frame with a soft damp cloth and soap or mild detergent and allow to dry thoroughly.
- **DO NOT** use abrasive cleaning products as it may cause stains, discolouration or scratches to the frame.
- **DO NOT** soak or submerge frame in water.
- **DO NOT** remove, dismantle or alter any part of the stroller mechanism or brakes.

Leatherette

- Spot clean with a damp soft cloth.
- **DO NOT** use a dripping wet cloth or wet the leatherette excessively.

Wheels

- Remove wheels from stroller.
- Clean with damp cloth and soap or mild detergent. Use brush to remove dirt and mud build up around the tyre. Allow to dry thoroughly before placing wheels back on the frame.
- If necessary lubricate wheel shaft with a small amount of lubricant before placing into the stroller.
- Ensure the stroller is cleaned thoroughly after using it on the beach as sand and salt can damage stroller mechanism, wheel assembly, causing premature wear and corrosion.

PLEASE NOTE:

Our product warranty does not cover any rust to the rivets or screws, if you are caught in the rain or at the beach always thoroughly dry the frame to avoid any rust damage.

Care & Maintenance

Just like servicing your car or bicycle, prams and strollers also need **regular maintenance checks**. These checks can improve product performance, extend the life of your stroller and help to provide you and your children a safe and smooth journey.



We recommend servicing your stroller every 6 months and completing an inspection once a month. To prolong the life of your stroller, a regular maintenance should be performed.

5 STEP CHECK LIST

- 01 INSPECT SAFETY DEVICES** tether strap, frame lock, harness, buckle and brakes, and ensure all are in working order and free from dirt, sand, and debris.
- 02 INSPECT** all connecting rivets and screws are secure.
- 03 MAKE SURE FOLDING JOINTS** are free of dirt, dust, and debris by cleaning with a damp cloth, allow to dry and lightly spray with a dry silicon lubricant. Please carefully read the lubricant instructions prior to use.
- 04 REMOVE WHEELS** and wipe clean with a damp cloth to remove any dirt, sand or debris. Allow to dry and lightly spray the wheel pivot pin with a dry silicon lubricant to keep the wheels moving smoothly. Please carefully read the lubricant instructions prior to use.
- 05 ENSURE WHEN FOLDING AND STORING** to wipe down your stroller frame and allow to dry before storing in a dry place without direct sunlight.

Warranty

Did you know?

Registering your product online simplifies proof of purchase in the event of a warranty claim.

Head to our website to fill out the product registration form: britax.com.au
britax.co.nz



Making A Warranty Claim

Your rights under a **Britax** company warranty are separate from and independent of your rights under the statutory consumer guarantees. What you need to do to enforce your rights under a statutory consumer guarantee is set out in the **Australian Competition and Consumer Commission's Consumer Guarantees - A Guide for Consumers**.

To make a claim under a **Britax** company warranty, please contact our customer service team on:

Australia: 1300 303 330 / **New Zealand:** 0508 688 822 or alternatively by email at: aunz-support@britax.com

You will be required to :

- Return the product to the place of purchase or to a designated repair agent;
- Present your receipt as proof of purchase;
- Identify the defect in the product; and
- Present the product to **Britax** for inspection on request.

Britax will advise you whether the product is covered by the **Britax** company warranty. **Britax's** decision of whether a product is covered by a **Britax** company warranty is final. **Britax** will act reasonably when determining whether a product is covered by a company warranty.

Warranty

Australian Consumer Law

On all of our goods, you have the benefit of a statutory consumer guarantee. In summary, goods are guaranteed to be of “acceptable quality” (fit for purpose), goods are guaranteed to match any sample against which they are sold. These consumer guarantees are provided for by the Australian Consumer Law and, if you believe any one of these guarantees is not satisfied by a Britax product, you have rights under the Australian Consumer law to enforce that guarantee.

Your rights under the statutory consumer guarantees are set out in the **Australian Competition and Consumer Commission's Consumer Guarantees – A Guide for Consumers**.

In addition to the statutory consumer guarantees, **Britax** offers its own company warranty on all of its products. You therefore have the option of seeking redress for defective or faulty product either under the **Britax** company warranty or the statutory guarantees.

After the **Britax** company warranty expires, you still have your rights under the statutory consumer guarantees.

Depending on the product involved, the **Britax** company warranty on the following page applies:

Warranty

Steelcraft Warranty

Steelcraft products are covered by this company warranty against faulty materials and workmanship (normal wear and tear excluded) that affects the normal operation of your **Steelcraft** product. In the unlikely event that you find that your **Steelcraft** product does not satisfy this warranty, **Britax** will (at its option) repair or replace that product within a reasonable period of you making a claim in accordance with this policy.

In the event that a replacement product is no longer available, **Britax** reserves the right to provide what it considers to be a suitable alternative.

For this company warranty to apply, you must make an application before the expiration of the following periods from date of purchase*.



2 years on **Steelcraft** strollers and **Steelcraft** stroller accessories.*

This company warranty does not apply to second hand or after market goods or goods used for rental, hire or other commercial purposes or to any claim where the damage or fault is, in whole or part, the result of incorrect installation, mistreatment, intentional damage, any use other than use in normal conditions or any use otherwise than in accordance with the instruction manual for that product.

Please read your instruction manual carefully before using any of our products.

INTERNATIONAL WARRANTY

Britax products are available through a network of retailers in Australia and New Zealand. If you are an international customer we do not offer a warranty service outside of these regions.

THIS PRODUCT IS NOT INTENDED FOR COMMERCIAL USE

Notes

Notes



Britax Childcare Pty. Ltd.

A.B.N. 55 006 773 600

Level 4, 650 Lorimer Street, Port Melbourne, Victoria 3207, Australia

Phone: (03) 9288 7288 **Fax:** (03) 9311 5798

Customer Service

Australia: 1300 303 330 / **New Zealand:** 0508 688 822

Due to our continuing program of development, Britax reserves the right to alter the specifications, color or design without any further notice.

The **Steelcraft** trademark is the property of Britax Childcare Pty.Ltd - Australia.

The **Britax** trademark is the property of Britax Childcare Holdings Limited - UK.

Visit the **Britax** website at: **britax.com.au** or **britax.co.nz** or email us at **aunz-support@britax.com**

Due to the variations in the style and design of our products the illustrations used in this instruction booklet are generic.

This product is designed to comply with **Australian Standard AS 2088:2022** "Prams and Strollers- Safety Requirements"

Copyright © 2021 Britax Childcare Pty. Ltd. Australia